

KFC-P507 / KFC-P707

Specifications

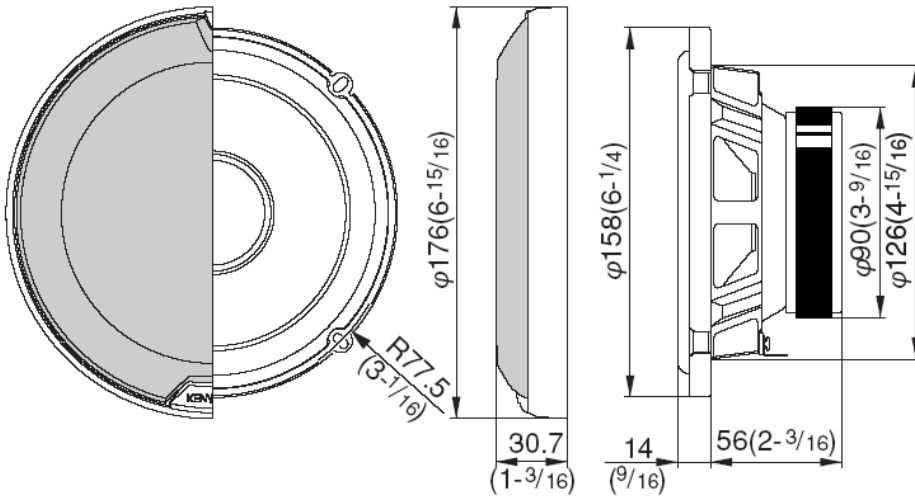
	KFC-P707	KFC-P507
2-Way 2-Speaker System / 2-Wage 2-Lautsprecher-System / 2-2-weg 2-luidsprekersysteem / Diffusore a 2 vie e 2 altoparlanti / Sistema de 2 altavoces de 2 vías		
Woofer / Basses / Tieftöner/Altavoz de graves	Oversized 160 mm (6-1/2") Cone	Oversized 130 mm (5-1/4") Cone
Tweeter / Aigus/Hochtöner / Altavoz de agudos	20 mm (13/16") Dome	20 mm (13/16") Dome
Rated Impedance / Impédance nominale / Nenn-Impedanz / Nominale impedantie / Impedenza nominale / Impedancia nominal	4 Ω	4 Ω
Peak Input Power / Entrée de crête momentanée / Spitzenbelastung / Piekingangvermogen / Picco istantaneo di ingresso / Potencia máxima de entrada	280 W	240 W
Rated Input Power / Entrée nominale / Nenn-Belastbarkeit / Nominaal ingangsvermogen / Ingresso nominale / Potencia de entrada nominal	65 W	45 W
Sensitivity / Niveau de pression sonore de sortie / Schalldruckpegel / Gevoeligheid / Pressione suono emesso / Sensibilidad	92 dB/W at 1m	91 dB/W at 1m
Frequency Response / Réponse en fréquence / Frequenzgang / Frekwentierespons / Risposta in frequenza / Respuesta de frecuencia	30 ~ 35,000 Hz	35 ~ 35,000 Hz
Crossover Frequency / Fréquence de recouvrement / Übergangsfrequenz / Crossover-frekwentie / Frequenza di crossover / Frecuencia de cruce	4,500 Hz	5,000 Hz
Net weight / Poids net / Nettogewicht / Netto gewicht / Peso netto / Peso neto	Woofer 1,070 g (2.4 lb) Tweeter 40 g (1.4 oz)	Woofer 780 g (1.7 lb) Tweeter 40 g (1.4 oz)

Technical specifications

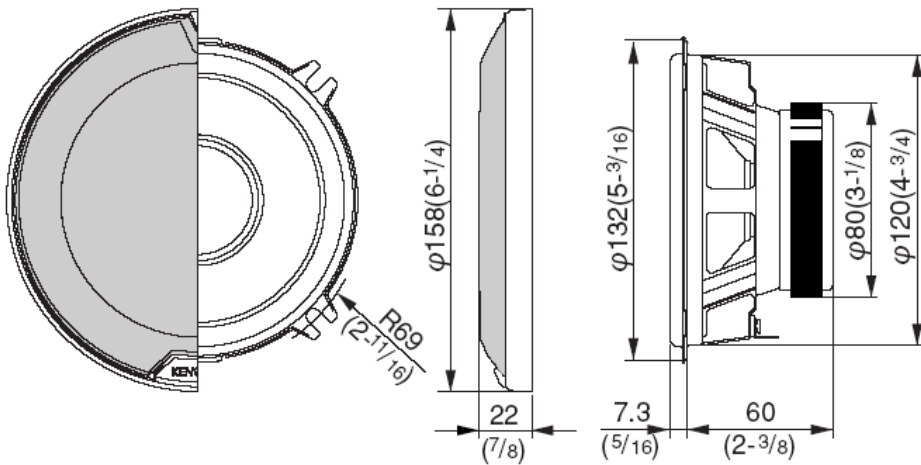
	SYMBOL	UNIT	VALUE	
			KFC-P707	KFC-P507
■ WOOFER				
Nominal Impedance	Z	Ω	4.0	4.0
DC Resistance	Revc	Ω	3.6	3.6
Voice Coil Inductance	Levc	mH	0.31	0.31
Resonance Frequency	Fs	Hz	88	110
Resonance Frequency Impedance	Zs	Ω	19.7	16.6
Mechanical Q Factor	Qms		4.35	4.19
Electrical Q Factor	Qes		1.10	1.30
Total Q Factor	Qts		0.88	0.99
Volume Acoustic Compliance	Vas	liter (cu.ft)	5.88 (0.208)	3.11 (0.110)
Moving Mass	Mms	g	13.22	9.67
Suspension Compliance	Cms	m/N	0.250×10^{-3}	0.218×10^{-3}
Emissive Diameter of the Diaphragm	D	mm	128	113
Voice Coil Diameter	d	mm	30	30
Voice Coil Layers	n		2	2
Flux Density	B	T	0.90	0.90
Force Factor	BL	T·m	4.88	4.30
Weight of Magnet		g (oz)	330 (11.6)	250 (8.8)
Peak Excursion	Xmax	mm	2.8	1.7

Dimensions / Abmessungen / Afmetingen / Dimensioni / Dimensiones / المقاسات

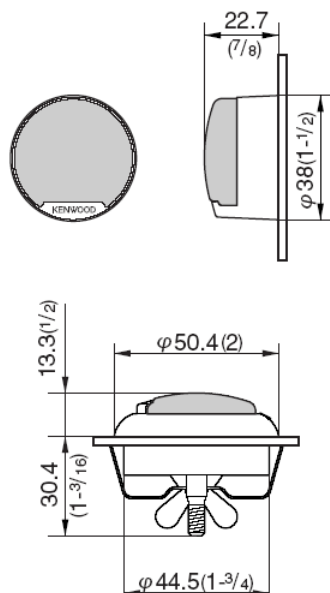
- Woofer
- KFC-P707



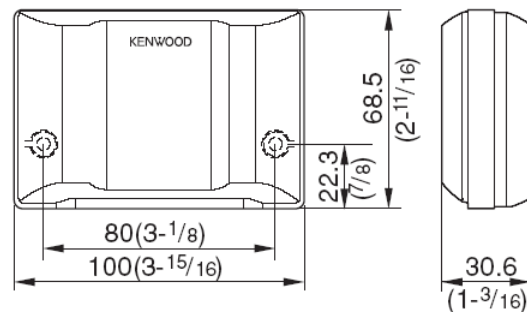
- KFC-P507



- Tweeter



- Passive crossover network



Unit : mm (inch)
Unité : mm (pouces)